

LUXMAN M-383

electronic circuits v1




DISCLAIMER

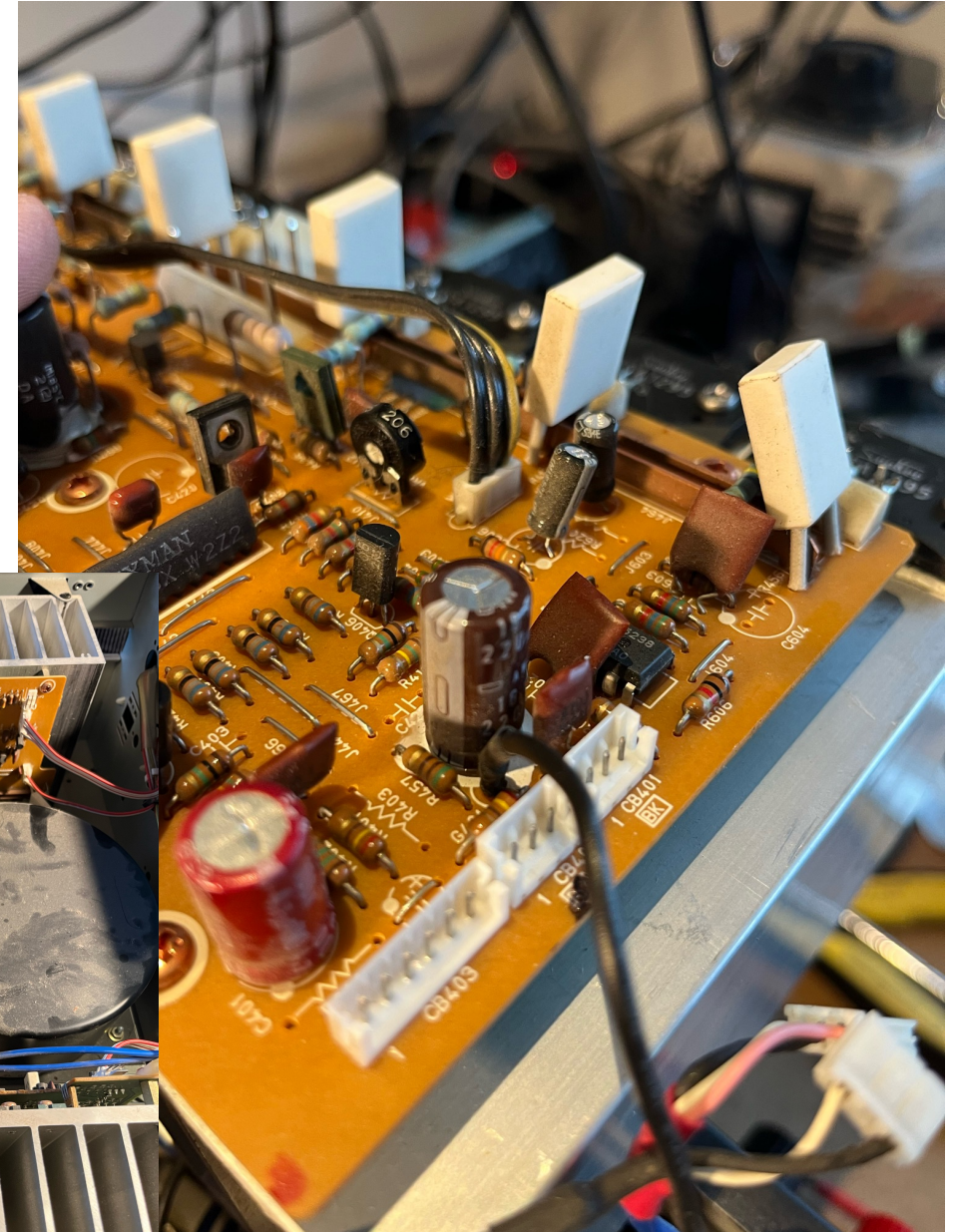
These circuits are drawn from examining an M-383 amp with Serial Number W30111054.

Although the drawings were made with a maximum of care and many control checks have been done, they may contain errors.

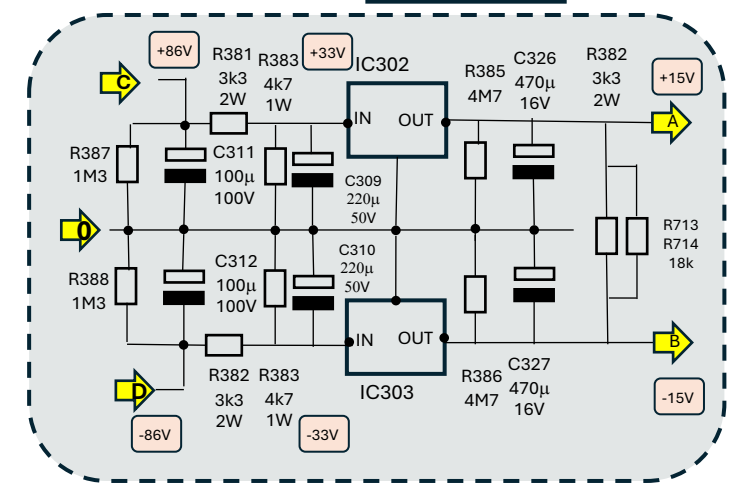
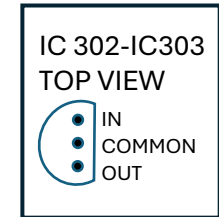
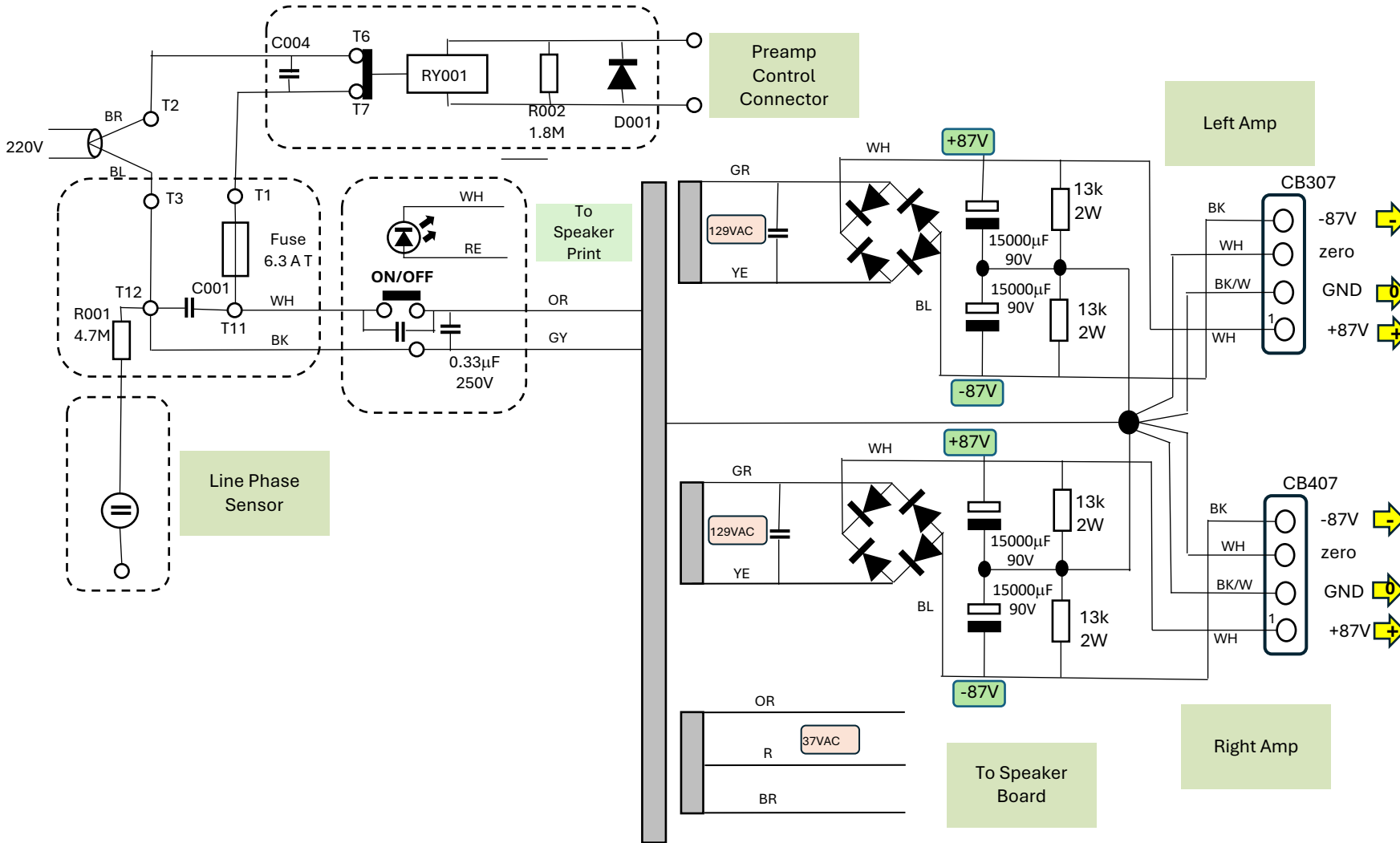
Measured Voltages are made at 230 V input and may deviate from your reality. Other M-383 amps may be different.

Consequently, these circuits are given **without any guarantee**.

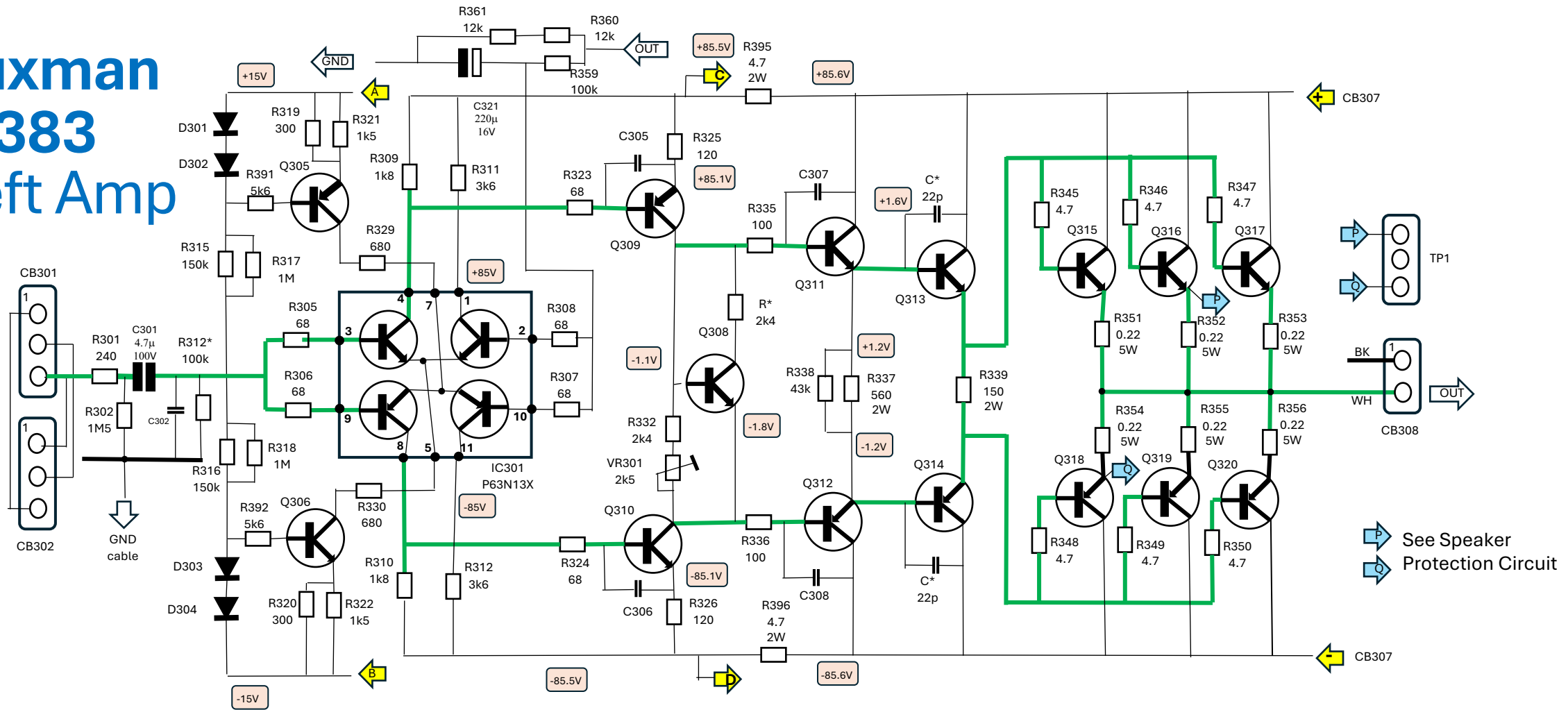
Arrows such as  do not appear on the circuit boards, they are used to simplify the circuit lay-out on these drawings.



Luxman M383 Power Supply



Luxman M383 Left Amp



adjust VR301 to read 9mV (+/- 10mV) between P and Q on TP1

Resistances R* and capacitors C* are mounted on the underside

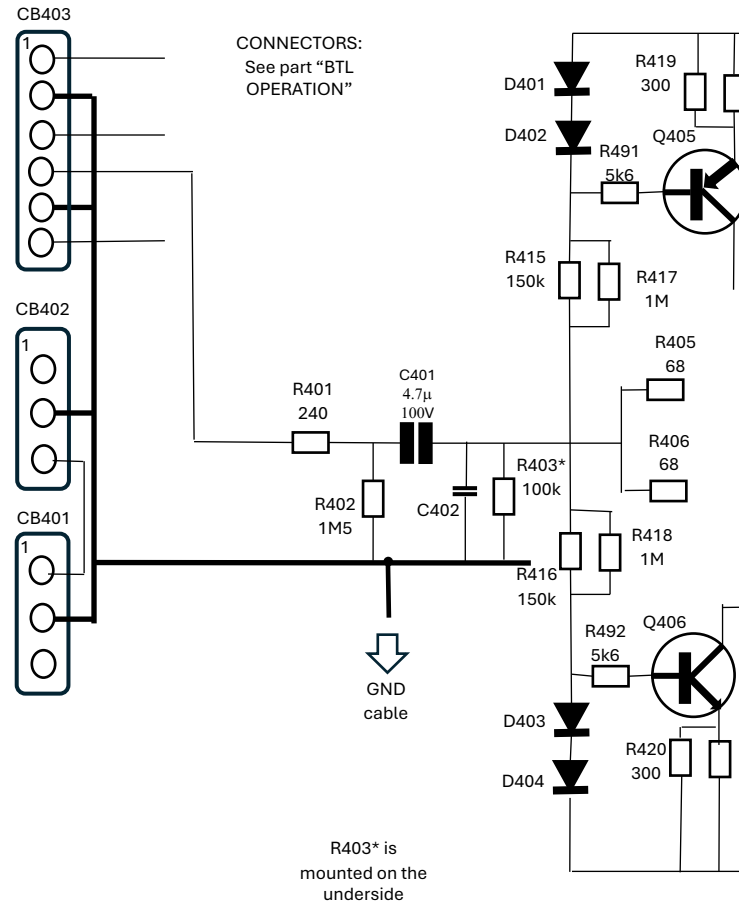
	NPN
	PNP
	Q313 = C2336
	Q315, Q316, Q317 = C2922
	Q308 (black) = C3423
	Q314 = A1006
	Q309, Q312 = A1142
	Q318, Q319, Q320 = A1216
	Q323 = A1360

	NPN
	PNP
	Q310, Q311 = C2682
	Q308 (black) = C3423
	Q314 = A1006
	Q309, Q312 = A1142
	Q323 = A1360

	NPN
	PNP
	Q306, Q330 = C2705
	Q304 = C2240
	Q305, Q322 = A1145

Luxman M383

Right Amp

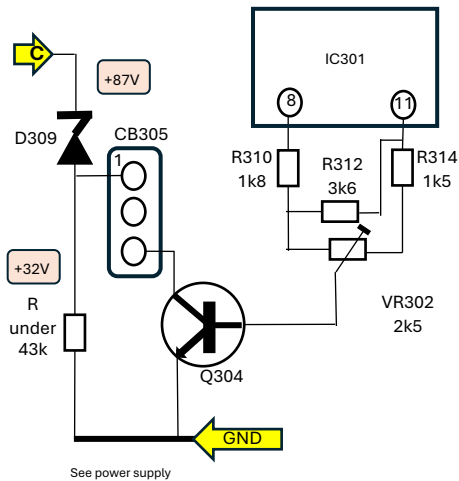


Right Amp is similar to Left amp:
replace all numbers 3xx by 4xx
e.g. R350 -> R450

Luxman M383

Left Amp

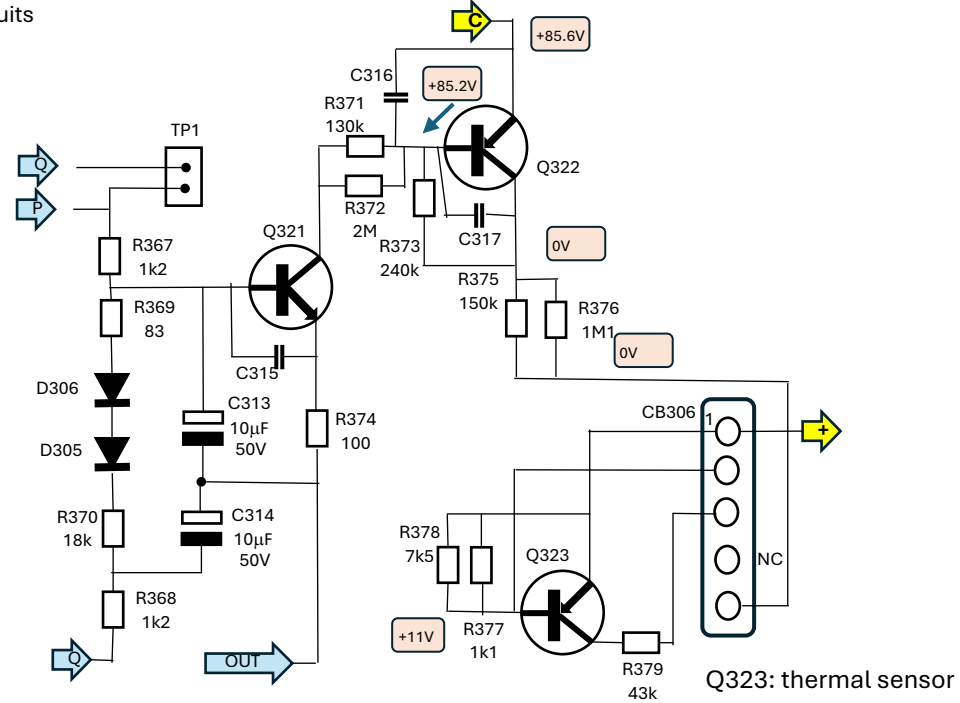
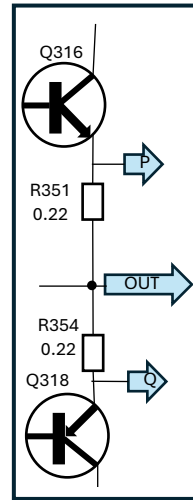
CLIPPING INDICATOR Circuit



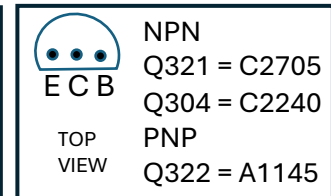
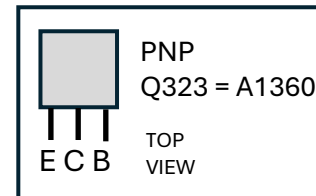
See power supply

OVERLOAD PROTECTION Circuit
Parts on Power Amp Board

See Power Amp Circuits



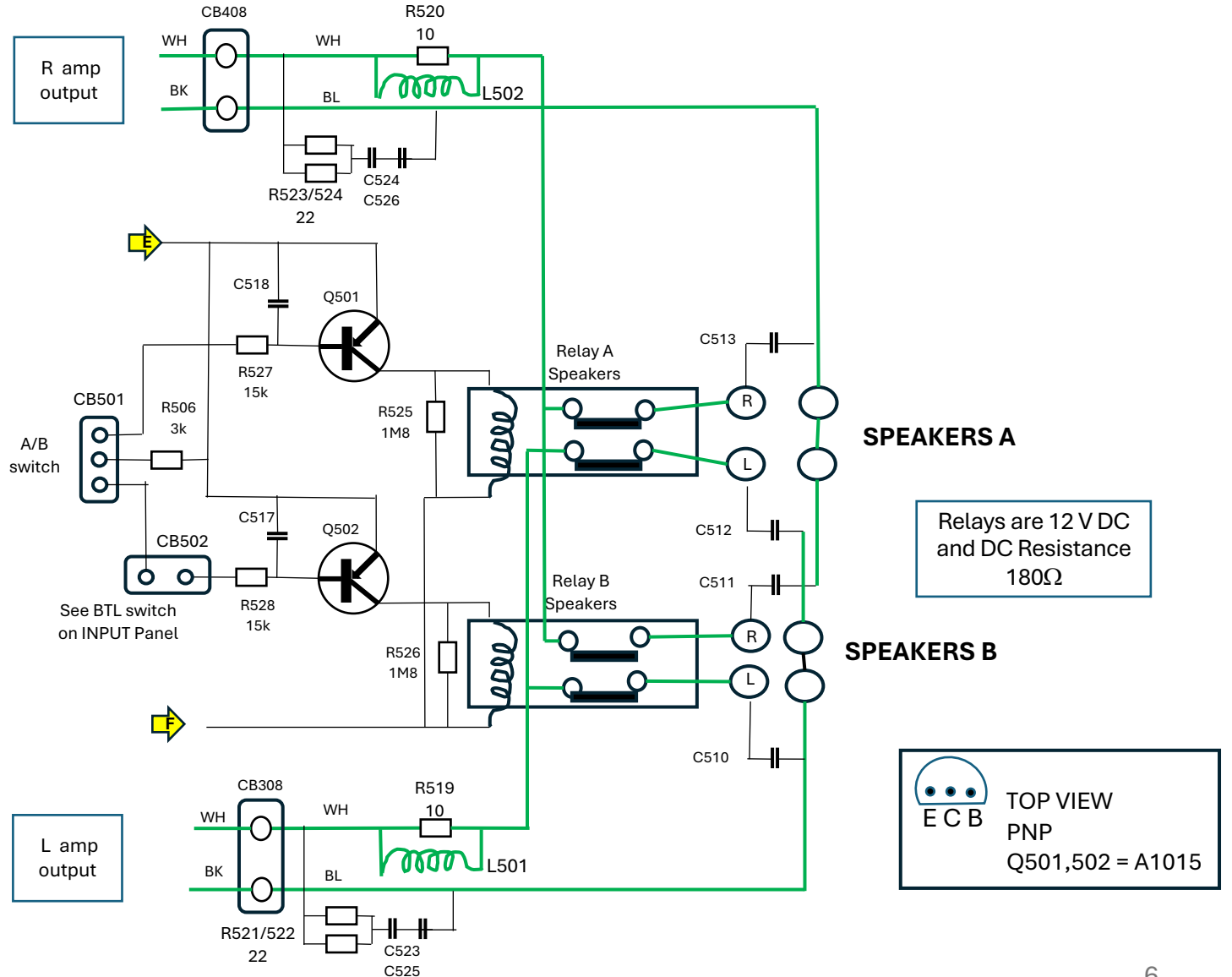
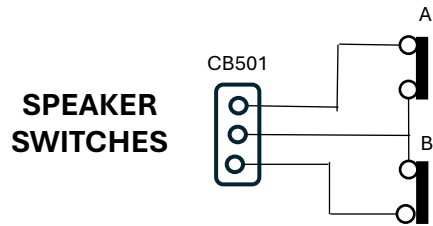
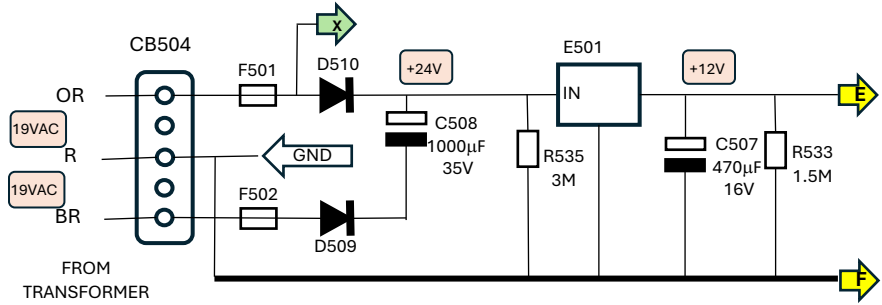
OVERHEAT PROTECTION Circuit
Parts on Power Boards



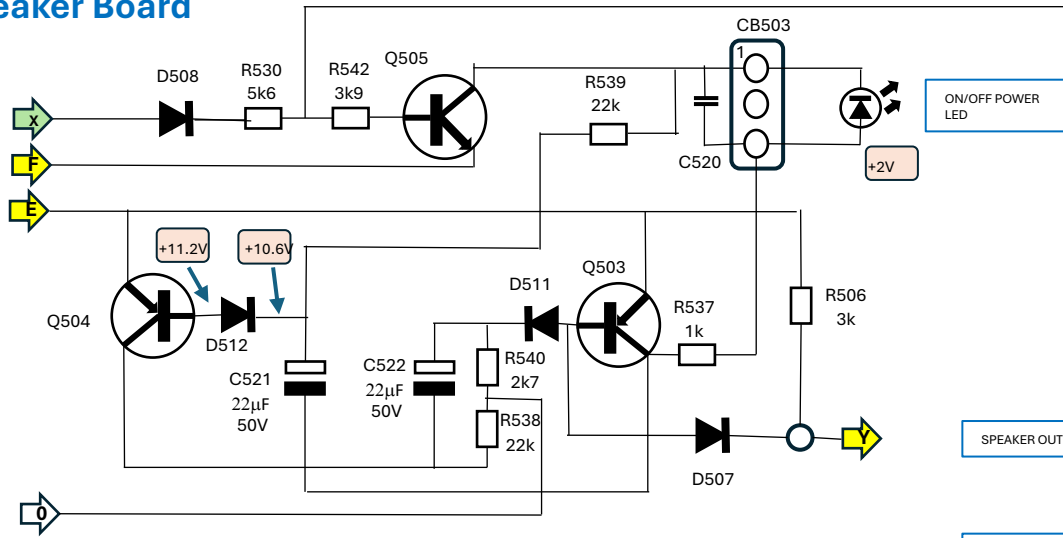
Luxman M383

Speaker Board Speaker Switches

SPEAKER BOARD POWER SUPPLY

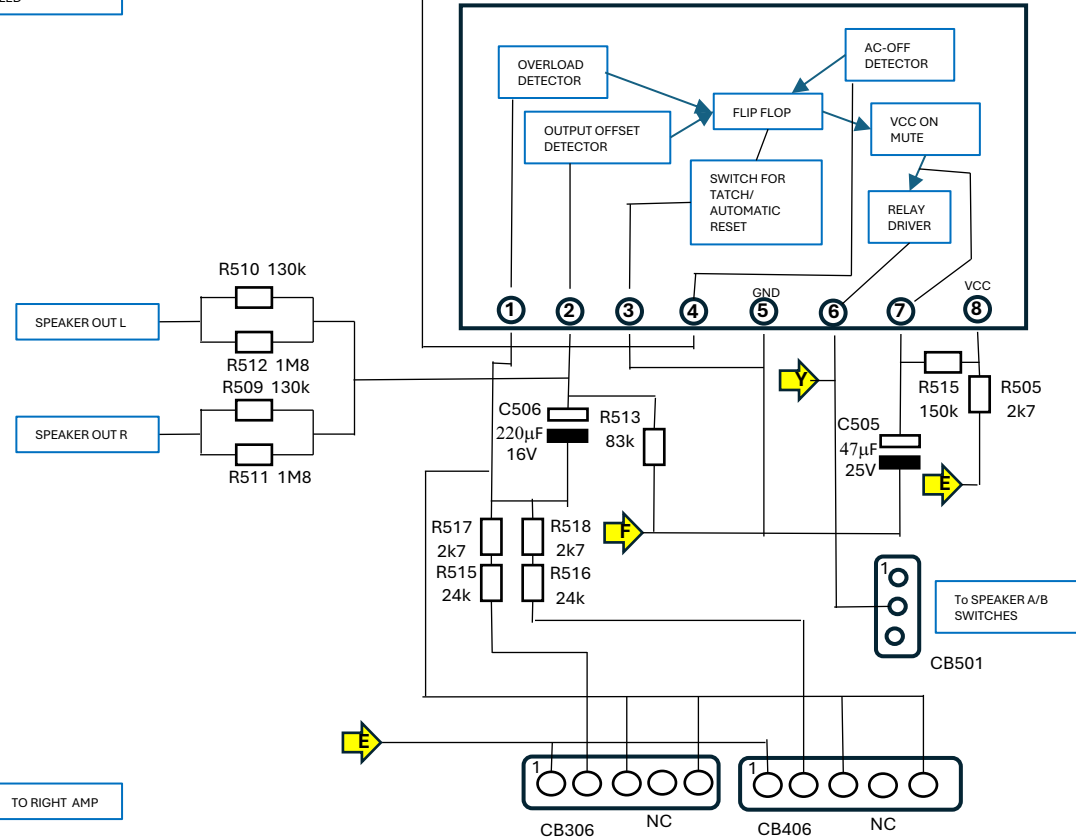


OTHER CIRCUITS On Speaker Board

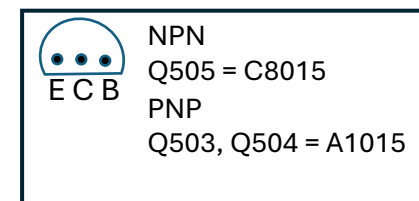
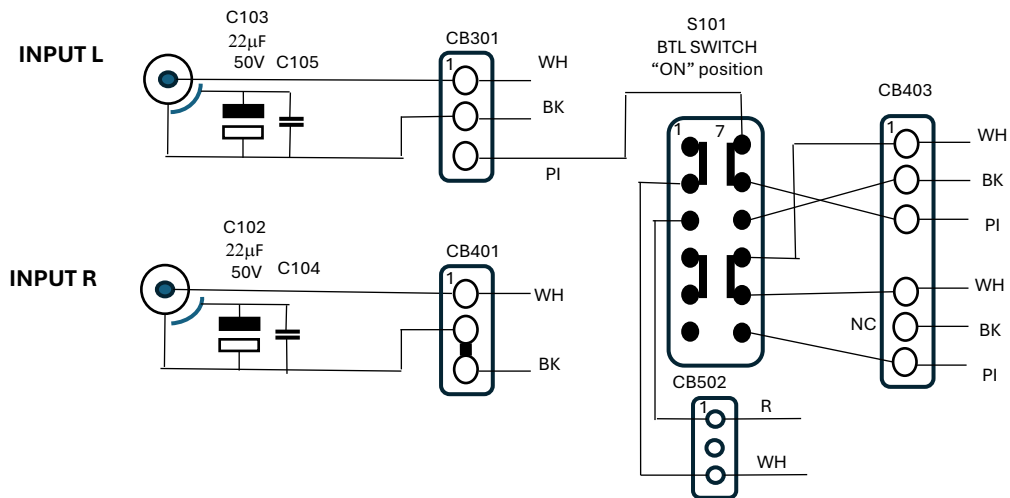


Luxman M383

IC501 uPC1237H

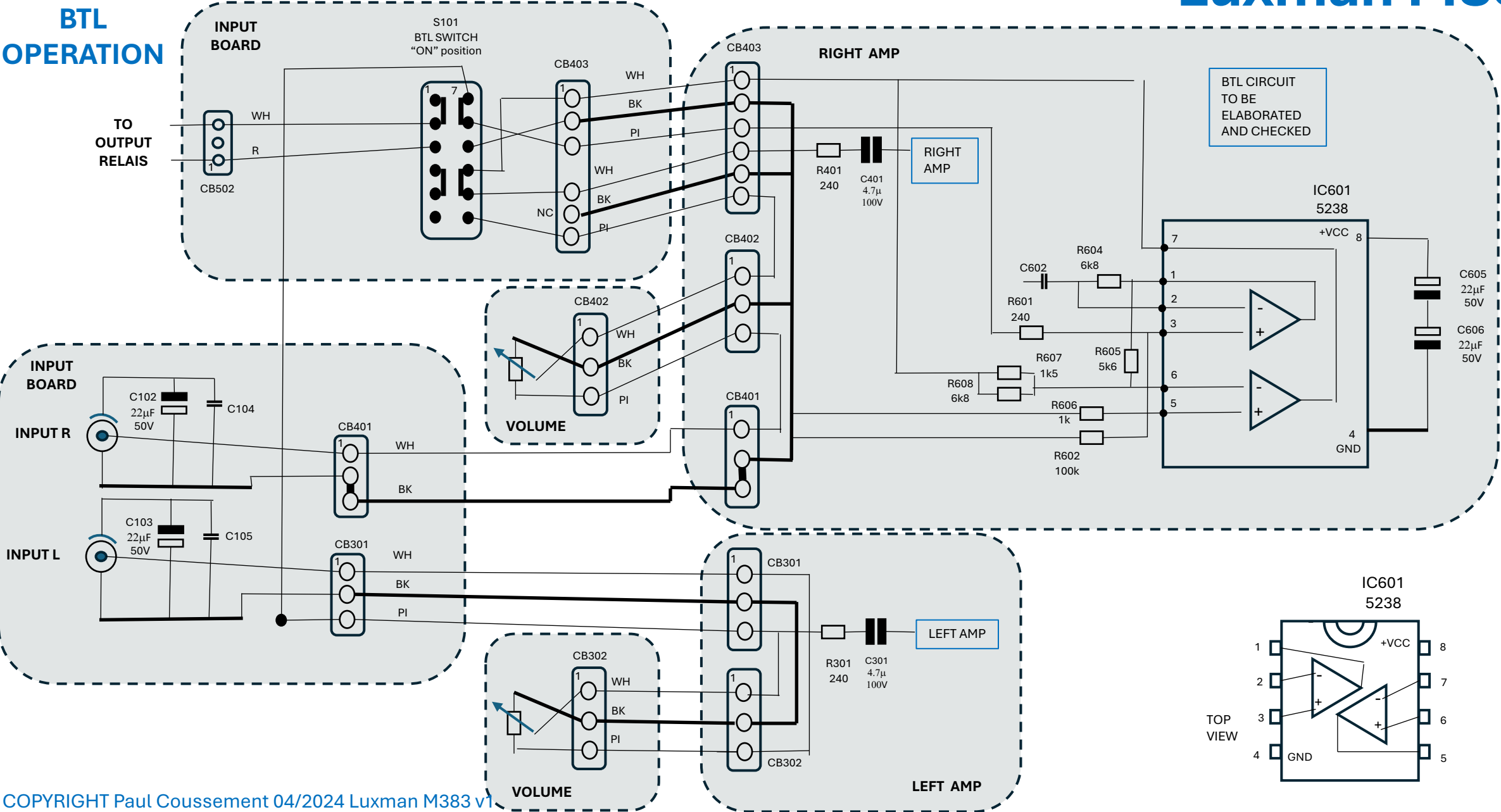


INPUT BOARD



Luxman M383

BTL OPERATION



Luxman M383

OVERALL CONNECTIONS

